



# Weigh Module KIS-9

## Technical data

Rated load (R.L.)		kN	5, 10, 20, 50, 100
Combined error (terminal)		% of R.O.	± 0.1
Repeatability		% of R.O.	0.02
Overload	safe*	% of R.L.	50
	ultimate*	% of R.L.	100
Sideload	ultimate*	% of R.L.	100
Input voltage	recommended	V DC or AC	10
	maximum	V DC or AC	18
Input resistance		ohm	350 ± 5
Output resistance		ohm	350 ± 1
Rated output (R.O.)		mV/V	1.020
Tolerance of R.O.		% of R.O.	± 0.25
Zero balance		% of R.O.	± 2
Tolerance of shunt calibration values		% of value**	± 0.25
Creep at R.L. after 30 min.		% of R.L.	± 0.03
Temperature range		°C	-40 to +80 (+100)***
Temperature effect (-10 to +50°C):	on output	% of output/°C	± 0.003
	on zero balance	% of R.O./°C	± 0.003
Insulation resistance at 200 VDC		Gohm	>4
Material			Stainless steel
Electrical connection		5, 10, 20 kN	5 m shielded four conductor cable
		50, 100 kN	10 m shielded four conductor cable
Degree of protection			IP 67

\* referring to recommended loading case

\*\* see calibration sheet of the load cell

\*\*\* -40 to +100°C on demand

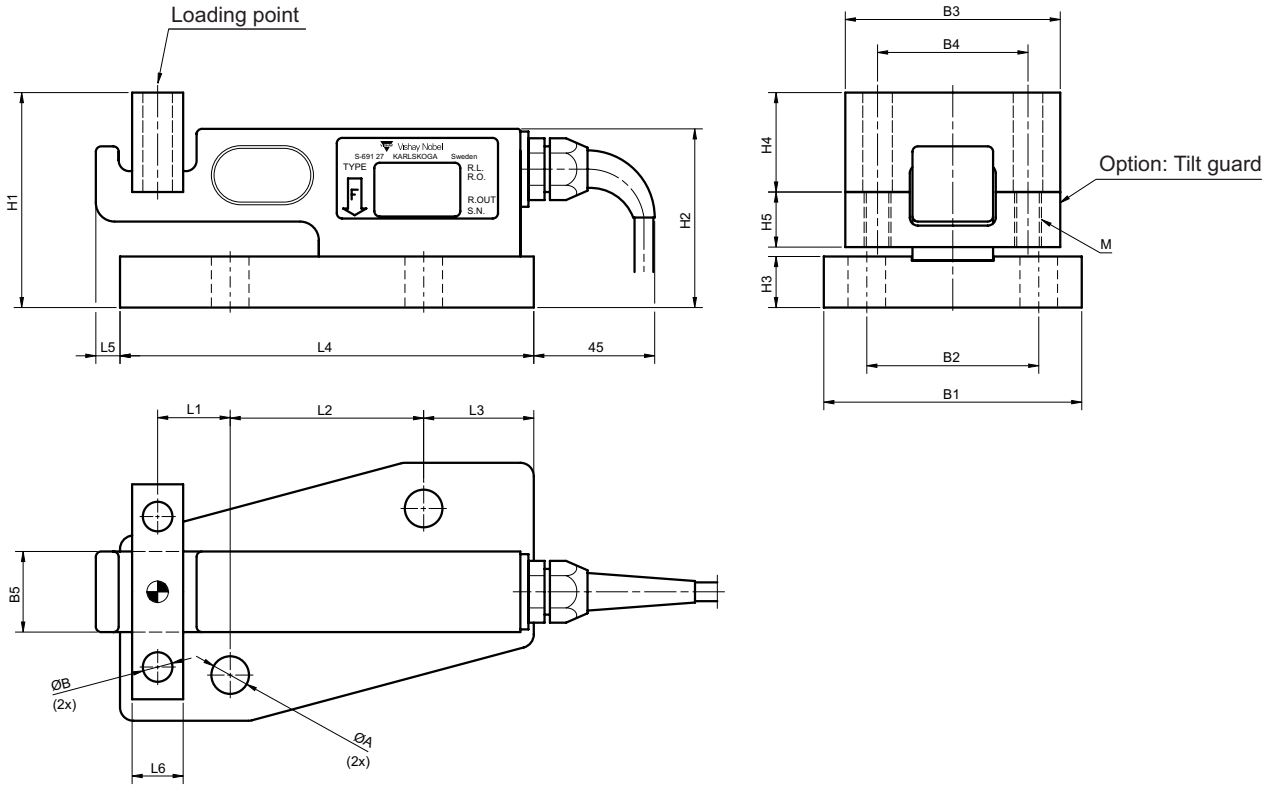


ATEX certified versions for use in explosive atmospheres are available.

II 1GD

EEx ia IIC T4 Tamb=40°C

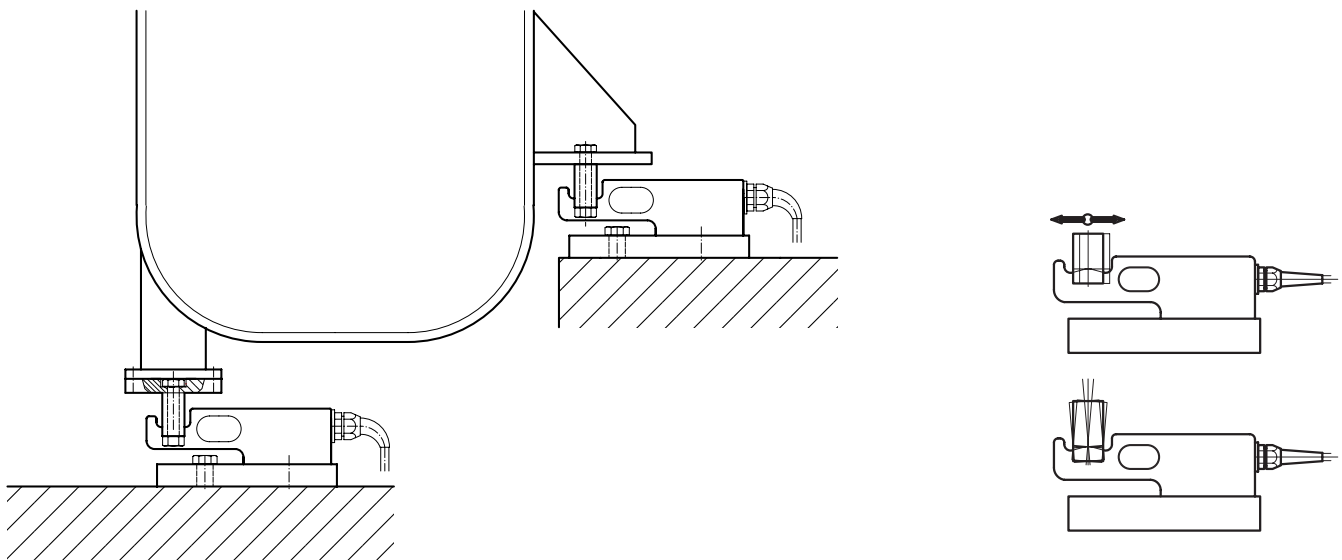
# Dimensions KIS-9



Range kN	L1	L2	L3	L4	L5	L6	Ø A	Ø B
5-10-20	27	72	41	154	9	19	14	11
50	38	80	48	185	14	29	18	18
100	48	122	25	220	17	48	22	22

Range kN	B1	B2	B3	B4	B5	H1	H2	H3	H4	H5	M
5-10-20	96	62	80	56	30	80	67	19	37	20.5	M10
50	128	88	128	88	48	115	93	33	48	28	M16
100	160	120	160	120	62	130	108	38	53	33	M20

## Installation examples



Vishay Nobel AB  
 Box 423, SE-691 27 Karlskoga, Sweden  
 Phone +46 586 63000 · Fax +46 586 63099  
 info.se@vishaynobel.com · www.vishaynobel.com